

Autodiagnos Check

Operating Instructions

04/2017 - EN (1.3)



VDO

Introduction

Overview 1
Kit Contents 1

Getting Started

Controls..... 2
Battery..... 3
Connections 5
Registration..... 6
Real Time Clock..... 6
Safety Precautions..... 7
Communication Problems..... 8
Product Support..... 9
Copyrights & Trademarks 9

How to use the Check Service Tool

Overview 10
Fault Codes..... 11
Scan Function..... 12
Live Data..... 12
Special Functions..... 12
How to Enter Data..... 13
Changing the Language..... 13
Display Brightness 13

Demonstration Mode

Demonstration Mode..... 14

Applications

Introduction 16
Applications..... 16

General Information

Cleaning..... 19
Specification..... 19
CE Declaration of Conformity 20
FCC Declaration of Conformity 20

Appendix A: Glossary

Glossary of Terms..... 21

Appendix B: Replacement Parts

Parts List..... 22

Appendix C: Manual Service Reset

Service Reminder Indicator (SRI)..... 23
Alfa Romeo..... 23
Audi 24
BMW..... 25
Citroen 26
Ford 34
Fiat..... 35
Lancia 36
Land Rover 37
Mercedes..... 38
Peugeot 39
Renault 45
Smart 49
Vauxhall/Opel 50
Volkswagen 51
Volvo..... 52

Overview

If you are using the Autodiagnos Check tool for the first time, it is recommended that you read these instructions and safety guidelines fully, before using the tool.



Nearly every new road vehicle, and many older vehicles, have multiple control modules that monitor and control different aspects of the vehicle (e.g. Engine, Transmission, Body, Suspension, etc.). The Autodiagnos Check tool has been specifically designed to connect to, and communicate with, a number of these control modules and to allow several service functions to be undertaken, such as injector programming, brake pad replacement and the reset of service interval values. The Check tool can also read and clear fault codes and perform other diagnostic related processes.

Tests on pre-EOBD (European On-board Diagnostics) and EOBD compliant vehicles can also be done.

Note: All post-2000 MY petrol cars and post-2004 MY diesel cars should meet the EOBD standard.



An intuitive user interface helps the user move through the menu structure

and make selections on the colour LCD screen.

Four Function buttons (F1 to F4) give context sensitive access to menus and sub-menus.

Four arrow buttons allow the user to navigate vertically or horizontally through the displays and menus.

Kit Contents

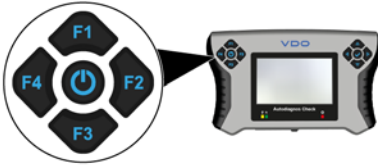




The kit comprises:

1. Carry case with foam insert.
2. Autodiagnos Check tool.
3. Power cable (EU).
4. Power cable (UK).
5. Power Supply.
6. EOBD/OBD II cable.
7. USB cable.
8. Getting Started Guide.

Controls

Left button group





Button	Function
	ON/OFF button.
	Function buttons. (The context of the display sets the function).

Note: To put the Autodiagnos Check tool into “sleep” mode when the tool is active, hold the ON/OFF button down for 0.25 second then release.

Note: To perform a software reset, press the right button and F4 key.


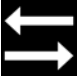

Right button group



Button	Function
	OK/Enter button.
	Scroll buttons. These move the cursor through the display in the direction of the arrow. The left and right buttons also move the cursor between menu pages.

LEDs



Image	Description
	Connection status between Autodiagnos Check and PC.
	Connection status between Autodiagnos Check and Vehicle.
	Power supply status.

Battery

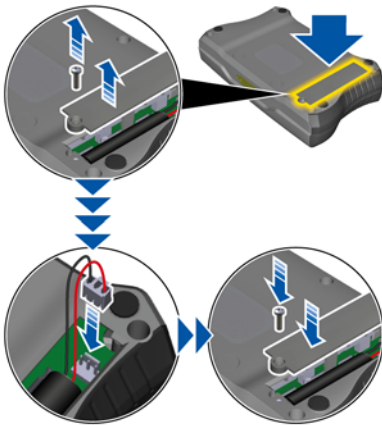
Connecting the battery

The Autodiagnos Check tool is shipped with a 3.7 volt Lithium-ion battery installed but not connected to the tools circuit board. Before using the tool the battery must be connected.



When connecting or replacing the battery observe all precautions to prevent electrostatic discharge.

DO NOT use any tools inside device when the battery cover is removed.

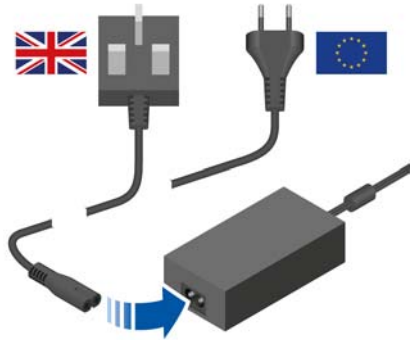


1. Remove the screw securing the battery cover and remove the cover.
2. Inspect the battery and wiring for any signs of damage. Contact product support immediately if the battery or wiring is damaged.
3. Locate the battery connector and connect it to the circuit board as shown.
4. Refit the battery cover, ensuring it is correctly located and refit the screw.

Charging the battery

IMPORTANT: PRIOR TO FIRST USE, THE BATTERY SHOULD BE FULLY CHARGED.

Note: It is also recommended that the battery is charged whenever the tool is not in use.



Connect the correct mains plug adapter for your country to the power supply.



Insert the power supply plug into the Check tool and then connect the power supply to a wall outlet.

The battery state of charge is displayed the bottom right corner of the screen. When the battery is charging, the bars within the gauge will animate, and the Red Power Supply Status LED will flash at a slow rate. The LED will illuminate continuously when the battery is fully charged.

When the battery is not being charged, the bars in the gauge will display the current state of charge, and the Red LED will not illuminate.

When charging the battery, the temperature within the Check tool is continuously monitored. If the temperature rises or falls outside the permitted range of 10°C to 50°C (50°F to 122°F), battery charging will be suspended - the bars in the gauge will be static displaying the current state of charge, and the battery logo on display will turn orange - until the temperature returns within tolerance.

If the battery is completely discharged, the approximate time to charge the battery is about 4 hours, within the charging temperature range.

WARNING: Only use the power supply provided with the Autodiagnos Check tool to charge the battery.

WARNING: Do NOT leave the tool unattended whilst it is being charged. In the event of a incident, the power supply should always be within easy reach to allow for a quick disconnection.

WARNING: Never use or attempt to recharge a battery that has visible signs of damage to the casing or wiring. Replace battery immediately with a genuine replacement part.

Battery Replacement

If required, replacement Lithium-ion batteries are available by contacting Product Support.

WARNING: Only use a replacement Lithium-ion battery approved by VDO. The use of counterfeit and/or inferior-quality batteries could greatly reduce runtime and the performance of the Check tool. It may also constitute a safety hazard, and may void the tool warranty.

WARNING: DO NOT place loose batteries in a pocket, purse, or other receptacle containing metal objects.

WARNING: DO NOT store batteries with hazardous or combustible material; store in a cool, dry, ventilated area.

WARNING: ALWAYS keep batteries away from children.

WARNING: Do NOT expose the battery to naked flame or throw on a fire. Keep the battery away from extreme temperatures.

WARNING: Never submerge the battery in water or other liquids

Disposal of Check Tool and Battery



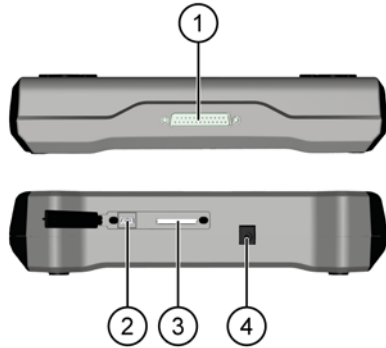
WARNING: The Autodiagnos Check tool contains a Lithium-ion battery. If the battery becomes defective it **MUST NOT** be disposed of as household waste or posted back to the manufacturer. It **MUST** only be put in specific containers for batteries at local waste recycling centres.

The 2012/19/EU (WEEE) and the 2011/65/EC (RoHS 2) directives apply to the recycling and disposal of the Autodiagnos Check tool.

The 2013/56/EU directive applies to the disposal of the Lithium-ion battery.

Note: For instructions on the proper handling of end-of-life electric and electronic equipment in your country, contact the dealer/distributor from which the tool was purchased.

Connections



The Autodiagnos Check tool has four sockets:

1. 25-pin OBD connector.
2. USB socket (mini-AB type).
3. SD card - Reserved for future use.
4. Power supply/charger socket.

Registration

To register your VDO Autodiagnos Check tool, you will need to go to <http://www.autodiagnos.com/> and download the VDO Product Information Management System (PIMS). When the download is complete, run the executable file and complete the installation procedure.

Note: In order to use PIMS your computer must meet or exceed the minimum system requirements. Refer to 'Minimum PC requirements', page 6.

After the PIMS client is installed, double click the desktop icon to start the application. This application will register and unlock your tool, and ensure that your tool is up to date with the latest software. You will be prompted to register your details, or log in if you are already a registered user.

Connect the power supply to the Check tool - refer to '[Connection details](#)', [page 6](#). The tool will automatically start. Connect the tool to the PC using the USB cable supplied. The registration process will start automatically.

Follow the registration procedure in the VDO Product Information Management System to unlock your Check tool.

When the registration procedure is complete the latest software version will be offered to ensure the tool is up to date.

You can disconnect the Check tool from the computer when the registration procedure is complete.

Connection details



1. Connect the power supply to the Autodiagnos Check tool.
2. Connect the supplied USB cable from the Autodiagnos Check tool to the PC.

Minimum PC requirements

- A PC with Windows XP, Vista, 7, 8, 8.1, or 10.
- Internet access.
- Administrative Rights (only necessary for software installation to PC).

Real Time Clock

The Autodiagnos Check tool has a clock that gives the current time and date. This clock gets its power from the tool's battery. The registration procedure automatically sets this clock to the correct time and date.

If the clock loses its settings, the tool display will show a message. Ensure the battery is securely connected and that the wiring is not damaged. If necessary connect the external power supply and charge the battery. Follow the on-screen instructions to reset the time and date.

Safety Precautions

The following guidelines are intended to ensure the safety of the operator whilst preventing damage to the electrical and electronic components fitted to the vehicle. Refer to the chapter, '[Applications](#)', [page 16](#), for more safety instructions.

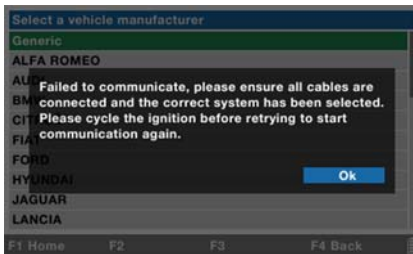
Equipment - prior to commencing any test procedure on the vehicle, make sure that the Check tool, its harnesses and connectors are in good condition.

Before a test on a vehicle, the following procedure must be done:

- Make sure that the vehicle cannot move. Use the handbrake/parking brake or chocks to stop the wheels moving.
- Make sure that neutral gear or park mode is active.
- Keep test equipment and harnesses away from High Tension leads.
- Be aware of moving engine parts.
- Do not run engine in a confined space without adequate ventilation.

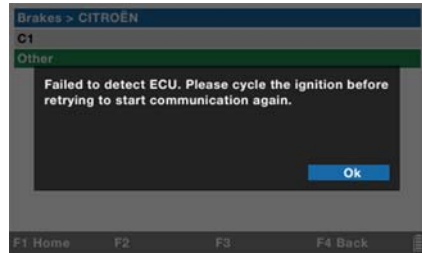
Communication Problems

NOTE: If communications cannot be established, the user will be alerted by an audible warning and a message on the screen.



If communications cannot be established with the vehicle, follow the procedure below:

1. Check that the ignition system is ON.
2. Disconnect both ends of the cable and ensure that no pins are bent or broken.
3. Check that the correct diagnostic cable/adaptor is being used.
4. Check that the diagnostic cable is securely connected to the Check tool.
5. Check that the correct system was selected from the menu.
6. Reset the control module on the vehicle by turning the ignition OFF and ON.
7. Switch the Check tool OFF and ON.



If the Autodiagnosis Check fails to detect the ECU please turn the ignition OFF and ON and try to re-establish the communication.

If communications still cannot be established, contact Product Support for further assistance.

Product Support

Serial number

Always provide the serial number of the Autodiagnos Check tool in all product support requests.

E-mail support

For product support through email contact: autodiagnos@vdo.com.

Service Hotline

For product support go to: www.autodiagnos.com or contact the service hotline:

Service hotline DACH:
+49 (0) 1805 221242

Mon.-Fri., 9 a.m.-12 noon, 1 p.m.-5 p.m.
(€0.14/min. from landlines in Germany, max. €0.42/min. from the German mobile phone network).

Service-Hotline UK:
+44 (0) 844 665 7623

The cost of calls to the hotline is dependent on your telephone service provider.

Note: For other countries please check the website.

Copyrights & Trademarks

The trademarks and logos ("Trademarks") to be seen in this instruction manual are the property of Continental Automotive GmbH and its subsidiaries. None of the information in this instruction manual is to be interpreted as granting licenses or permission to use Trademarks. For this, the express written consent of Continental Automotive GmbH is required. The unauthorized use of these Trademarks is strictly prohibited. Continental Automotive GmbH will assert its intellectual property rights all over the world subject to the laws applicable in each case.

Copyright © 2017 Continental Automotive GmbH. All rights reserved. All texts, images, graphics and other materials in this instruction manual are subject to the copyright and other intellectual property rights of Continental Automotive GmbH and its subsidiaries. These materials may not be modified or be copied for commercial use or distribution.

Overview

How to switch ON/OFF



To switch on and off the Check tool, push down the ON/OFF button.

To put the Check tool into its sleep mode to conserve power, push down the ON/OFF button for 0.25 second then release the button. To make Check tool active again push down the ON/OFF button for 0.25 second and release the button.

User Interface navigation

The Check user interface uses a menu structure that makes the tool easy to use and allows you to quickly navigate to the system required.

Use the arrow buttons in the right button group to navigate around the screen. Highlight the system or function you want to access then push the ✓ button to activate the command.

Function buttons

The left button group contains four function buttons (F1 to F4) and the power ON/OFF button. At the bottom of the screen each of the four function buttons will have a description of the function each will support. The function buttons are context sensitive and dynamically change their functionality depending on the particular screen in focus.

How to select a system



After the tool has powered up, the tool display will show the home screen. From this screen use the arrow buttons to select the system you want to access, then press the ✓ button.

How to select a vehicle manufacturer



After you select a system, the tool display will show a list of vehicle manufacturers. Navigate to a manufacturer and push the ✓ button to select.



In some cases, where it is necessary to identify a specific model, the tool display will show a menu screen to allow this selection.

How to connect to a vehicle

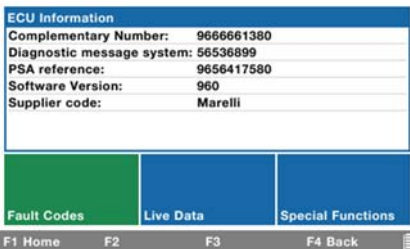
Connect the diagnostic cable to the Check Tool and secure with screws. Connect the diagnostic cable to the vehicle's diagnostic socket. The tool will start and present the home screen. (See 'How to select a system', page 10).

Note: Before communications are possible with the vehicle systems the ignition must be switched on.

How to connect to a system

After selecting the manufacturer and model, ensure the ignition is switched on. The tool will communicate with the selected system. The tool display will then show the available functions.

Use the arrow buttons to move to a function and press the ✓ button to select. If a function button has a gray background, this indicates that the function is not available.



The screenshot shows a screen with a blue header 'ECU Information' and a table of data. Below the table are three buttons: 'Fault Codes' (green), 'Live Data' (blue), and 'Special Functions' (blue). At the bottom, there is a navigation bar with buttons 'F1 Home', 'F2', 'F3', and 'F4 Back'.

ECU Information	
Complementary Number:	9666661380
Diagnostic message system:	56536899
PSA reference:	9656417580
Software Version:	960
Supplier code:	Marelli

Fault Codes Live Data Special Functions

F1 Home F2 F3 F4 Back

The Check tool makes a communication link to the vehicle and its display shows ECU data.

Fault Codes

Read Faults

To view fault codes, navigate to the Fault codes tab and push the ✓ button. The tool will interrogate the system and display any stored fault codes. A fault code read can also be launched using the F1 function button when on this screen.

Note: To see the next or previous screen of fault codes, use the ▷ and ◀ buttons.

Clear Faults

To clear all fault codes for the system, push the F2 button.

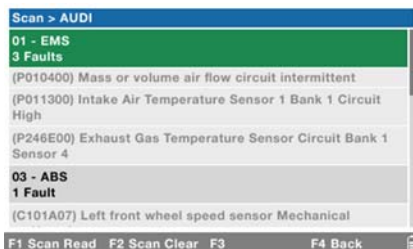
Note: If a fault still persist after clearing faults, rectification to the system will be required before the fault will clear. On some systems (SRS for example) it may not be possible to clear certain faults.

Freeze Frame data

When a fault code is stored, freeze frame information may also be available where supported by the system. This data provides several values relating to vehicle condition at the time the fault occurred.

Scan Function

By selecting the Scan function in the system menu, the Check tool starts communications with each of the vehicle subsystem ECUs, and will read any Fault codes present.



The fault codes are then displayed under the ECU name.

The ECU menu can then be selected using the scroll and ✓ buttons to view further details on the fault codes. The Scan function also provides the ability to clear all the fault codes present.

From this menu the Scan function can read again the Fault codes by pressing F1, or Clear all the Fault codes by pressing F2.

DTC	Description	Status
P010400	Mass or volume air flow circuit intermittent	Intermittent - Not confirmed - Tested since memory clear
P011300	Intake Air Temperature Sensor 1 Bank 1 Circuit High	Intermittent - Not confirmed - Tested

F1 Read F2 Clear F3 F4 Back

Selecting an ECU will show the ECU information menu, where further details of the Fault codes can be seen by selecting the Fault Codes menu. The Fault codes for the ECU can also be Read again or Cleared from this menu.

Live Data

To view live data (when supported by the system) navigate to the Live Data tab and push the ✓ button. The display will show a list of live data items. Navigate to the check box and push the ✓ button to activate the live data item. The display will show the value in real time. Up to 10 live data items may be selected at the same time.

Special Functions

To view the available special functions for the system, navigate to the Special Functions tab and push the ✓ button. The display will show a list of available special functions. Navigate to the required special function and push the ✓ button. Follow the on screen instructions to perform the function.

How to Enter Data

Where it is necessary to enter a text value, e.g. injector programming, the tool display will automatically show a virtual keyboard on the screen.

Use the up Δ , down ∇ , left \triangleleft and right \triangleright buttons to select the required character and then press the \checkmark button to select the highlighted character.

To enter new information, press **F2** or select the \checkmark character on the virtual keyboard.

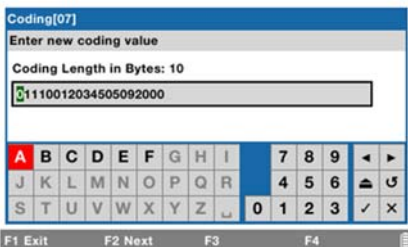
IMPORTANT: The \checkmark button does NOT write the data to the control module memory. Press the **F2** button to write the entered data to the control module memory.

To discard the entered information, press **F1** or select the \times character on the virtual keyboard.

The U button will revert the entered data back to the currently stored value.

The A button will toggle between upper and lower case letters.

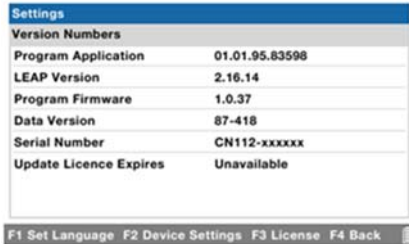
The \triangleleft \triangleright buttons will move the highlighted edit position left or right.



Some of the characters on the virtual keyboard may be greyed out, this will occur if some characters are not required to be entered in the field, e.g. if only numbers 0 to 9 and characters from A to F are needed in a field, all the remaining characters will be greyed out.

Changing the Language

From the System Type menu, press **F2** to enter the **Settings** menu.



Press the **F1** button to open the Language menu.

Use the up Δ and down ∇ buttons to highlight a language and press the \checkmark button to select. Once a new language is selected the Check tool will restart to set the new language, this may take several minutes.

Note: The UK and Irish versions of the Check tool only show English as a language option. The European versions will show all available languages.

Display Brightness

The display brightness can be adjusted from the **Settings** menu.

Use the left and right buttons to decrease or increase the screen brightness. The current setting is indicated on the bar-graph.

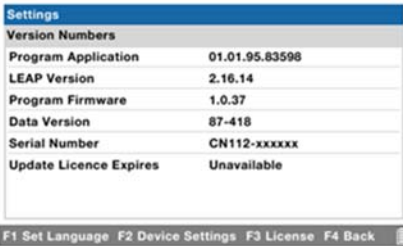
Demonstration Mode

Demonstration Mode allows simulation of certain FastCheck functions without having to connect to an ECU. This is intended for presentation purposes, to show features such as, read/clear simulated DTCs, view simulated Live Data and Special functions.

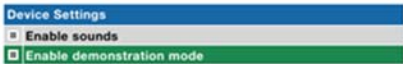
Enabling demonstration mode

Demonstration mode is enabled from the Device Settings menu.

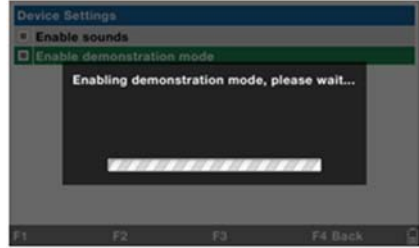
From the System Type menu, press **F2** to enter the **Settings** menu.



Press **F2** again to enter the **Device Settings** menu.



Use the up Δ and down ∇ buttons to highlight **Enable demonstration mode** and press the \checkmark button to select.



After enabling demonstration mode, the Check tool will initialise this feature. This may take several minutes!

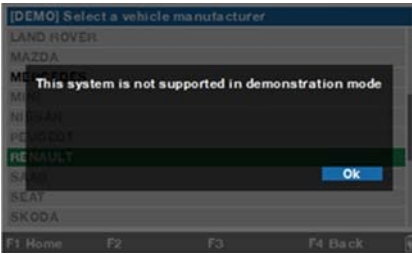
Demonstration mode operates in the same manner and with the same menu structures as normal operation, but using simulated ECU data.



When the Check tool is in demonstration mode, **(Demo)** is displayed at the top of the screen.

Simulated systems that are supported in demonstration mode have normal black text and can be selected. Systems that are unsupported are greyed out.

Demonstration Mode



If you select an unsupported system in Demonstration mode, a message will be displayed. Press the ✓ button to close the message.

Exiting demonstration mode

Demonstration mode is turned off when any of the following occurs:

- **Enable demonstration mode** is deselected,
- the USB is disconnected, or
- the language is changed.

Introduction

The tool applications enable communication with system control modules on the vehicle.

Connection to the specific system is via either the vehicle's EOBD (J1962) diagnostic socket or by a system specific connector.

General Safety Instructions

- ***Always be aware of how to put a system into a state that enables service work to be done safely.***
- ***Always follow the instructions on the tool display precisely and in the correct order.***
- ***For some tests (for example, brake or airbag tests) it will be necessary for the operator to be outside the vehicle. Refer to the relevant workshop procedures for these situations.***
- ***All operations must be done in a well ventilated area away from open flame and heat sources.***

Applications

EOBD

The EOBD (European On-Board Diagnostic) Scan application allows you to access a vehicle's emission related data through the OBD functionality. This includes read and clear faults, live data, O2 sensor tests, freeze frame data and more.

Service

Service provides the function to read/clear faults, view live data and special functions (e.g. adjustment fix service intervals, adjustment flexible service intervals, gear oil reset, oil reset, inspection reset).

Brakes

WARNING: Before you start maintenance/diagnostic work on a brake system make sure the vehicle is on a level surface. Use wheel chocks/locks to stop vehicle movement and that (if practicable) the handbrake (parking brake) is on.

Brakes provides the function to read/clear faults, view live data and special functions (e.g. electronic parking brake and brake fluid bleeding).

ABS

ABS provides the function to clear/read faults, view live data and special functions (e.g. brake bleed). On some vehicles (potentially newer vehicles) functions of the EPB are integrated in the ABS System.

Electronic Parking Brake

Electronic Parking Brake provides the function to read/clear faults, brake operation checks and brake pad replacement.

WARNING: Electronic Parking Brake (EPB) safety

- ***Ensure that you are fully familiar with the braking system and its operation before commencing any work.***
- ***Before you start maintenance/ diagnostic work on a brake system make sure the vehicle is on a level surface. Use wheel chocks/locks to stop vehicle movement and that (if practicable) the handbrake (parking brake) is on.***
- ***The EPB control system may require deactivation before you do maintenance/diagnostic work on the brake system. This can be done from the service tool menu.***
- ***Ensure that the EPB control system is reactivated after the maintenance work has been completed.***

TPMS

TPMS (Tyre Pressure Monitoring System) provides the function to read/clear faults, view live data and special functions (e.g. automatic learning and enter sensor code manually).

Battery

Battery provides the function to read/clear faults, view live data and special functions (e.g. battery change and learning).

Engine

Engine provides the function to read/clear faults, view live data and special functions (e.g. DPF regeneration and injector replacement).

Gearbox

Gearbox provides the function to read/clear faults, view live data and special operations (e.g. clutch operation checks and clutch replacement).

Airbag

Airbag provides the function to read/clear faults, view live data and special functions (e.g. configuration).

WARNING: Airbag safety

- ***Airbags are classed as explosive devices and as such are subject to national laws which must be followed. This includes storage and transportation.***
- ***All work on vehicle restraint systems should be done by trained personnel. NEVER install accessories in the vicinity of driver, passenger or side airbags.***
- ***ALWAYS position yourself so you will avoid personal injury should you accidentally trigger an airbag while using the Check tool.***
- ***Observe component manufacturers instructions for safety, handling and installation of components.***
- ***ALWAYS store removed airbags in a secure area away from other hazardous materials.***
- ***DO NOT connect or disconnect any wiring with the ignition ON. ALWAYS turn the ignition switch to the 'OFF' position and allow at least 1 minute for the system to discharge.***
- ***NEVER expose system components to temperatures above 176°F (80°C).***
- ***ALWAYS disconnect all airbags and seat belt pre-tensioners before using a multi-meter to check the wiring.***
- ***ONLY use approved diagnostic testers to diagnose faults, NEVER use multi-meters or test lamps etc.***

Steering /Suspension

Steering /Suspension provides the function to read/clear faults, view live data and special functions (e.g. steering angle sensor training).

Climate

Climate provides the function to read/clear faults and view live data.

WARNING: Air conditioning safety

- ***Servicing must only be done if you are familiar with both the vehicle system and the test equipment.***
- ***Air conditioning refrigerant is a hazardous liquid and when handled incorrectly can cause serious injury. You must wear applicable protective clothing, consisting of face protection, heat proof gloves, rubber boots and rubber apron or waterproof overalls, when you do work on the air conditioning system.***
- ***Danger of asphyxiation. Refrigerant gas is heavier than air and will collect in vehicle inspection pits or confined spaces. Always recover all refrigerant from a damaged system before commencing work.***

Cleaning

Use these procedures to keep the Check tool serviceable and clean.

WARNING. Do not use solvents to clean components. For example: petroleum-based cleaning liquids/creams, acetone, petrol, trichlorethylene. These types of strong solvent can cause damage to the plastic casing. Do not put this type of cleaning liquid on to a cleaning cloth to try and make the liquid weaker, and then use the cloth on the casing.

WARNING: The Check tool is not waterproof. Always dry the unit fully after contact with liquids.

Regularly examine and clean the following parts of the Check tool:

- The casing of the tool.
- The display screen.
- The control buttons.
- Adaptor cables and connectors.

Use a soft clean cloth to clean the tool, its cables or connectors. If necessary, apply a weak detergent solution to a moist cloth.

WARNING: Always disconnect the Check tool from a vehicle before you clean the tool.

Display screen

To clean the display, always use a soft, clean, antistatic cloth. If marks stay, apply a non-abrasive cleaning liquid (applicable for glass surfaces) to the cloth.

Specification

Voltage requirements - 8.0 volts to 32.0 volts DC.

Current requirement - 1.4A max.

Display - Colour LCD.

Humidity range (Operational)- 10% to 90%, non-condensing.

Humidity range (Non Operational)- 5% to 95%, non-condensing.

Protection Class of Case (IEC 60529) - IP 30.

CE Declaration of Conformity

Autodiagnos Check obeys ISO/DIS 15031 Part 4 as an EOBD service tool, and obeys these directives:

- ISO 9141.
- Keyword 2000 (a European protocol).
- J1850 PWM (pulse width modulated) protocol used by Ford.
- CAN (Controller Area Network), which is a European protocol.

The Autodiagnos Check has the CE mark and obeys these directives:

- EN55022: 2010 - ITE Emissions (Class B).
- EN55024: 2010 - Generic EMC Immunity.

A copy of the conformance certificate is available on request from the manufacturer or your supplier.

FCC Declaration of Conformity

Autodiagnos Check complies with Part 15 of the FCC Rules and has been tested under the following test standards:

- 47 CFR Part 15 - 2013-10 - Title 47 of the Code of Federal Regulations; Chapter I; Part 15 - Radio frequency devices
- ICES-003, Issue 5 - 2012-08 - Interference-Causing Equipment Standard Digital Apparatus

No changes shall be made to the equipment without the manufacturer's permission as this may void the user's authority to operate the equipment.

A copy of the conformance certificate is available on request from the manufacturer or your supplier.

Glossary of Terms

Term	Description
ABS	Anti-lock Brake System
CAN	Controller Area Network
CE	Conformité Européene
DIS	Draft International Standard
DPF	Diesel Particulate Filter
DTC	Diagnostic Trouble Code
DVD	Digital Versatile Disk
EC	European Commission
ECU	Electronic Control Unit
EMC	Electromagnetic Compatibility
EOBD	European On-Board Diagnostics
EPB	Electronic Parking Brake
FCC	Federal Communications Commission
IEC	International Electrotechnical Commission
ISO	International Organization for Standardization
J1962	The SAE standard that defines the 16-pin connector used for EOBD
LCD	Liquid Crystal Display
MY	Model Year
OBD	On-board Diagnostics
OBD-II	On-board Diagnostics, second generation
PC	Personal Computer
PIMS	Product Information Management System
PWM	Pulse Width Modulation
RoHS	Restriction of Hazardous Substances
SD	Secure Digital (memory device)
SDHC	Secure Digital High Capacity (memory device)
SRS	Supplementary Restraint System
TPMS	Tyre Pressure Monitoring System
USB	Universal Serial Bus
WEEE	Waste Electrical and Electronic Equipment

Parts List

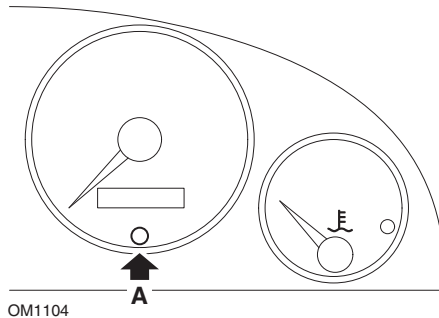
Description	Part No.
VDO Autodiagnos Check kit (Europe)	A2C98791300
VDO Autodiagnos Check kit (UK and Ireland)	A2C14146800
EOBD cable	A2C1379350001
Power Supply Unit	A2C1379370001
Battery	A2C1379320001

Service Reminder Indicator (SRI)

On some older vehicles it is not possible to reset the SRI by using the service tool. The manufacturers of these vehicles generally have bespoke service reset tools specifically for this task. However on a number of vehicles, it is possible to reset the SRI via interfaces built into the vehicle. The following are some of the most common SRI manual reset procedures.

Alfa Romeo

(1994 - 2000)



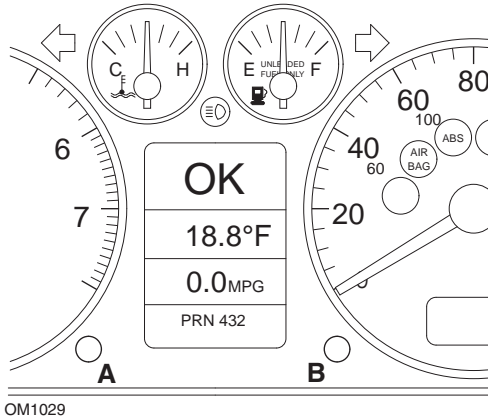
1. Turn the ignition key to OFF.
2. Press button **A** and keep it pressed.
3. Turn the ignition key to ON.
4. Keep button **A** pressed for about 10 seconds.
5. The display will show '0' and the spanner symbol will disappear.

Alfa Romeo 156

1. Switch the Ignition ON.
2. Press the [INFO] button on the dashboard to enter the dashboard functions menu.
3. Use the [+] and [-] buttons on the dashboard to navigate to the SERVICE option and press [INFO] to select.
4. Hold down both the [+] and [-] buttons for at least 10 seconds.
5. The 'Number of Miles to Service' should now be reset to approximately 12500 miles.
6. Use the [+] and [-] buttons on the dashboard to navigate to the END MENU option and press [MODE] to exit the functions menu.
7. Switch ignition OFF.

Audi

Audi A4 and A6 (1995 - 1999)

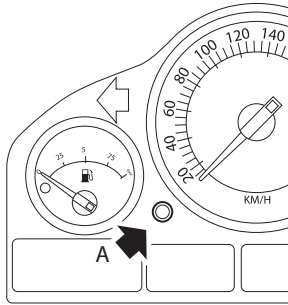


1. With the ignition switch in the OFF position, press and hold button **A** whilst turning the key to the ON position.
2. The message "Service OIL" will appear. If the message does not display, repeat step 1.
3. Pull out the button **B** until the message is extinguished.
4. The display should now show "Service ---", indicating that the SRI has been reset.

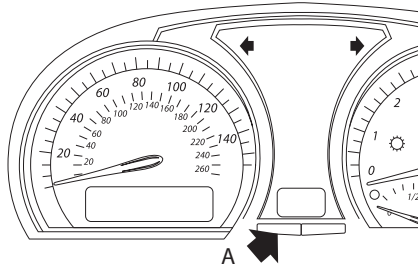
BMW

BMW 3 Series (E46), BMW 7 Series (E38), BMW 5 Series (E39) and BMW X5 (E53)

BMW X3 (E83) and BMW Z4 (E85)



OM1347



Button A arrowed in illustrations

The Service Interval Display (SIA) can be reset using the reset button for the trip distance recorder on the instrument cluster

NOTE: The distance-based inspection can only be reset if approximately 10 litres of fuel have been used since the previous reset was performed. The time-based inspection can only be reset if approximately 20 days have passed since the previous reset was performed

1. Switch ignition OFF.
2. Press and hold button **A**.
3. Keep button depressed and switch the ignition to position I.
4. Keep button depressed for 5 seconds, until the service status is displayed.
5. The display will now indicate the remaining distance to service and the type of service required (**OIL SERVICE** or **INSPECTION**). If the remaining distance is displayed with 'rSt' then the service interval can be reset.
6. To reset the distance to service limit press button **A** for 5 seconds. The '**rSt**' (or reset) will flash on the display. If the reset is not required then wait until the '**rSt**' (or reset) has stopped flashing before continuing. To reset press button **A** again before '**rSt**' has flashed 5 times to reset the service distance limit. The new distance to service will be displayed for 5 seconds.

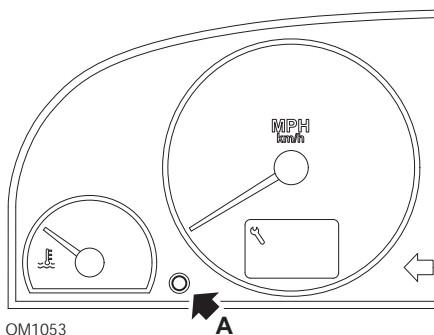
NOTE: For vehicles that do not include time-based inspection then 'End SIA' will be displayed with the remaining distance until the next service. For vehicles

that do include time-based inspection then the time-based inspection status will be shown.

7. The display will now indicate the remaining time to service. If the remaining time is displayed with '**rSt**' then the service interval can be reset.
8. To reset the time to service limit press button **A** for 5 seconds. The '**rSt**' (or reset) will flash on the display. If the reset is not required then wait until the '**rSt**' (or reset) has stopped flashing before continuing. To reset press button **A** again before '**rSt**' has flashed 5 times to reset the service time limit. The new time to service will be displayed for 5 seconds.
9. The '**End SIA**' will now be displayed with the remaining time until the next service.

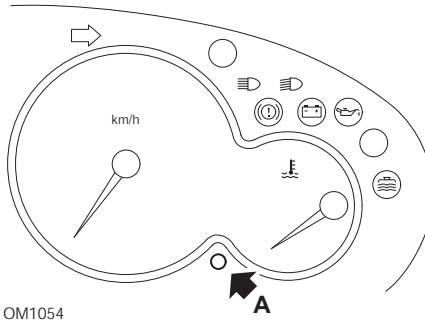
Citroen

Berlingo 1999 - 2002



1. Switch ignition OFF.
2. Press and hold button **A**.
3. Switch ignition ON.
4. Keep button depressed for 10 seconds.
The display will now read '0' and the spanner icon will extinguish.

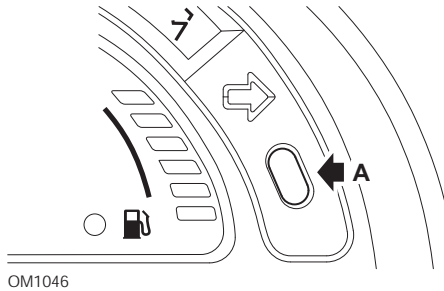
Berlingo 2002 onwards



1. Switch ignition OFF.
2. Press and hold button **A**.
3. Switch ignition ON.
4. Keep button depressed for 10 seconds.

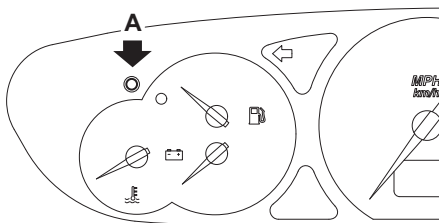
The display will now read '0' and the spanner icon will extinguish.

C3



1. Switch ignition OFF.
2. Press and hold button **A**.
3. Switch ignition ON.
4. Keep button depressed until the display reads '0' and the spanner icon extinguishes.

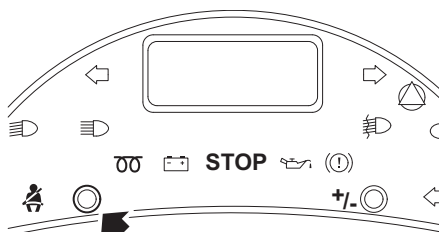
C5



OM1050

1. Switch ignition OFF.
2. Press and hold button **A**.
3. Switch ignition ON.
4. Keep button depressed for 10 seconds.
The display will now read '0' and the spanner icon will extinguish.

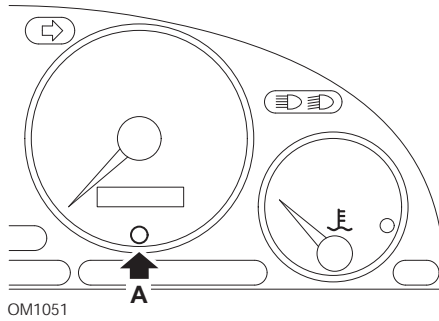
C8



OM1052

1. Switch ignition OFF.
2. Press and hold button **A**.
3. Switch ignition ON.
4. Keep button depressed until the display reads '0' and the spanner icon extinguishes.

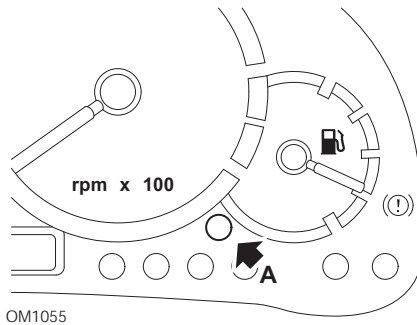
Dispatch/Jumpy



1. Switch ignition OFF.
2. Press and hold button A.
3. Switch ignition ON.
4. Keep button depressed for 10 seconds.

The display will now read '0' and the spanner icon will extinguish.

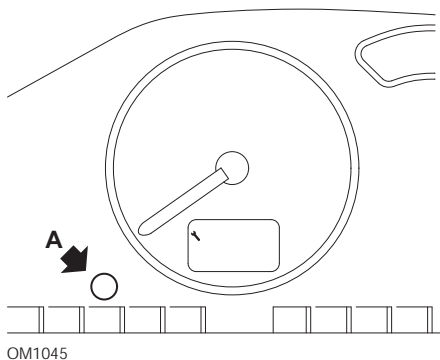
Relay II/Jumper II (2002 onwards)



1. Switch ignition OFF.
2. Press and hold button A.
3. Switch ignition ON.
4. Keep button depressed for 10 seconds.

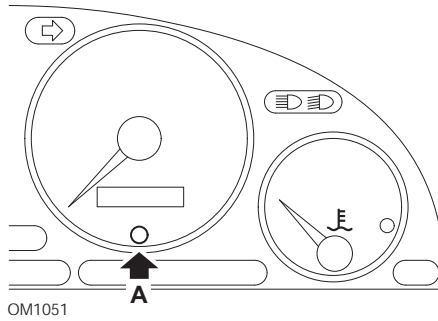
The display will now read '0' and the spanner icon will extinguish.

Saxo



1. Switch ignition OFF.
2. Press and hold button **A**.
3. Switch ignition ON.
4. Keep button depressed for 10 seconds.
The display will now read '0' and the spanner icon will extinguish.

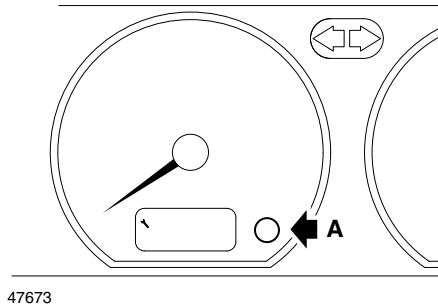
Synergie/Evasion



1. Switch ignition OFF.
2. Press and hold button **A**.
3. Switch ignition ON.
4. Keep button depressed for 10 seconds.

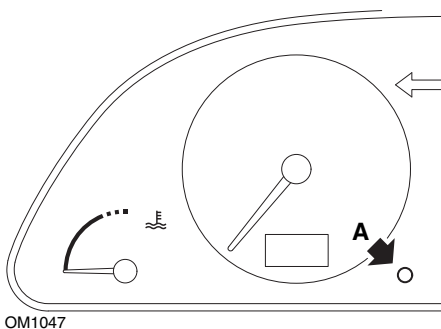
The display will now read '0' and the spanner icon will extinguish.

Xantia



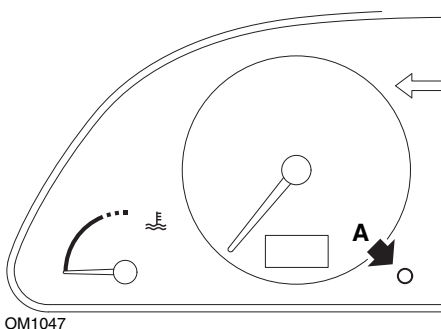
1. Switch ignition OFF.
2. Press and hold button **A**.
3. Switch ignition ON.
4. Keep button depressed. The spanner icon and the service interval will illuminate for 5 seconds, then extinguish.

Xsara (1997 - 2000)



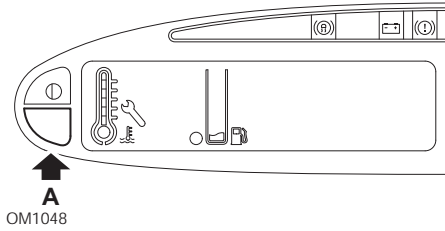
1. Switch ignition OFF.
2. Press and hold button **A**.
3. Switch ignition ON.
4. Keep button depressed. The spanner icon and the service interval will illuminate for 5 seconds, then extinguish.

Xsara (2000 onwards)



1. Switch ignition OFF.
2. Press and hold button **A**.
3. Switch ignition ON.
4. Keep button depressed for 10 seconds.
The display will now read '0' and the spanner icon will extinguish.

Xsara Picasso



1. Switch ignition OFF.
2. Press and hold button **A**.
3. Switch ignition ON.
4. Keep button depressed for 10 seconds.

The display will now read '0' and the spanner icon will extinguish.

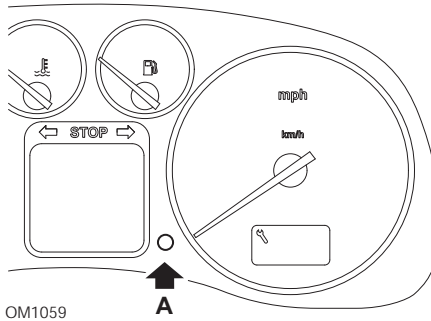
Ford

Transit (2000)

To turn out the Service light (spanner symbol) perform the following steps:

1. Turn the ignition key to OFF.
2. Hold down the brake pedal and the accelerator pedal.
3. Turn the ignition key to ON, while still holding the two pedals down.
4. Keep the pedals pressed for at least 15 seconds.
5. The SIA indicator (spanner) will flash when reset is complete.
6. Release pedals while SIA indicator is flashing.
7. Switch ignition OFF.

Galaxy (2000 - 2006)



1. Turn the ignition key to ON.
2. Press button A and keep it pressed, until the display 'SERVICE' is cleared.
3. Turn the ignition key to OFF.

NOTE: Depending on the type of service the procedure may need to be performed 1, 2, or 3 times:

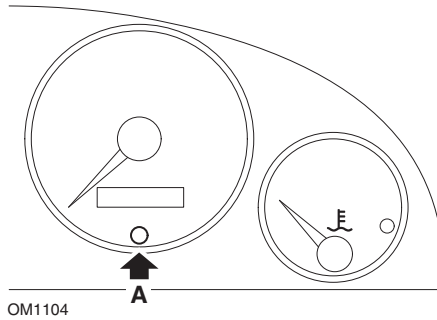
OEL (Oil Change Service) - Every 7,500 Miles / 12,000 Kilometres = 1.

IN 01 (Inspection Service) - Every 15,000 Miles / 24,000 Kilometres = 2.

IN 02 (Additional Servicing Work) - Every 30,000 Miles / 48,000 Kilometres = 3.

Fiat

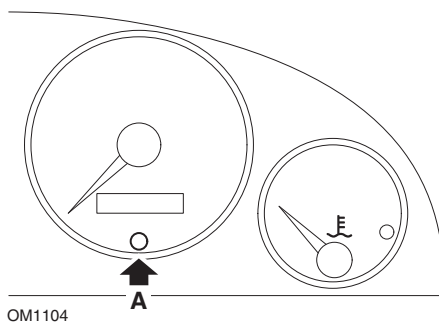
(1994 - 2000)



1. Turn the ignition key to OFF.
2. Press button A and keep it pressed.
3. Turn the ignition key to ON.
4. Keep button A pressed for about 10 seconds.
5. The display will show '0' and the spanner symbol will disappear.

Lancia

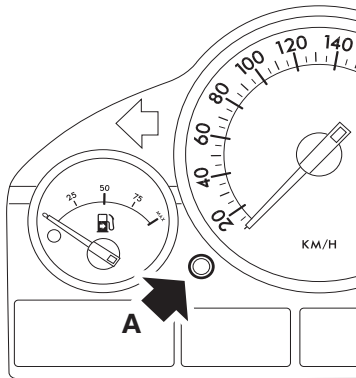
(1994 - 2000)



1. Turn the ignition key to OFF.
2. Press button A and keep it pressed.
3. Turn the ignition key to ON.
4. Keep button A pressed for about 10 seconds.
5. The display will show '0' and the spanner symbol will disappear.

Land Rover

Range Rover III 2002 onwards (all except Japan and NAS)












OM1257

1. Switch ignition OFF.
2. Press and hold button **A**.
3. Keep button depressed and switch the ignition to position I.
4. Keep button depressed for 5 seconds, until the 'SIA RESET' appears.
5. The display will now indicate the distance to service and the type of service required (OIL SERVICE or INSPECTION).
6. Check the distance to service has been reached.
 - a. If yes, proceed to step 9
 - b. If no, proceed to next step
7. Press button **A** once. The display will show the date to service.
8. Check the service date has been reached.
 - a. If yes, proceed to step 11
 - b. If no, proceed to step 10
9. When the distance to service limit has been reached, press button **A** for 5 seconds. 'RESET' will flash on the display. Press button **A** again before 'RESET' has flashed 5 times to reset the service distance limit. The new distance to service will be displayed for 5 seconds before the service date is displayed.
10. Press button **A** once to end the service interval check and reset.
11. When the date for service limit has been reached, press and hold button **A** for 5 seconds. 'RESET' will flash on the display. Press button **A** again before 'RESET' has flashed 5 times to reset the service date limit. The new date to service will be displayed for 5 seconds before end service is displayed.
12. Switch ignition OFF.

Mercedes

Mercedes (1998 - 2007)

With the Flexible Service System and multi-function steering wheel controls

1. Switch ignition ON.
2. Use buttons  and  to scroll through the multi-function display until the trip odometer and main odometer readings are displayed, or in the case of a separate main odometer display, scroll until the exterior temperature is displayed.
3. Use buttons  and  to scroll through the multifunction display until the service indicator  or  is displayed.
4. Press and hold button  on the instrument cluster for approximately 3 seconds, until the following question is displayed within the multifunction display:
DO YOU WANT TO RESET SERVICE INTERVAL? CONFIRM BY PRESSING
R
or
SERVICE INTERVAL? RESET WITH R BUTTON FOR 3 SEC
5. Press and hold button  on the instrument cluster again, until a signal sounds.
6. The new service interval will appear in the multifunction display.
Note: The  refers to the trip distance reset button.

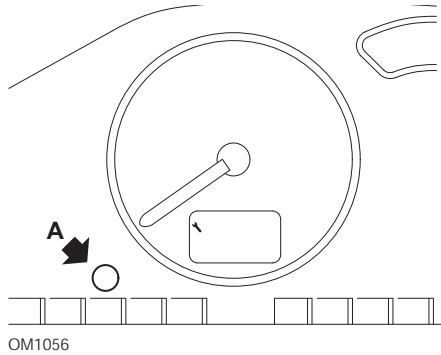
Mercedes (1998 - 2002)

With the Flexible Service System and without multi-function steering wheel controls

1. Turn the ignition switch to the ON position and then immediately press the button next to the digital display twice within one second.
The current status for days or distance will be displayed.
2. Turn the ignition switch to the OFF position within 10 seconds.
3. Press and hold the button while turning the ignition switch to the ON position.
The status for days or distance will be displayed again.
4. After approximately 10 seconds you will hear a confirmation chime and the display will show 10,000 miles (15,000 km). Release the button.

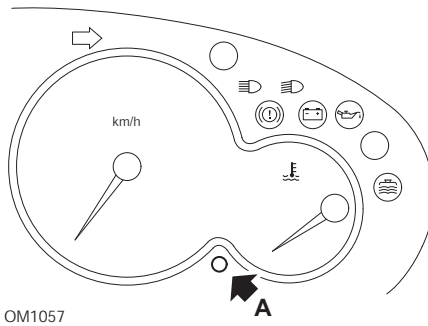
Peugeot

106



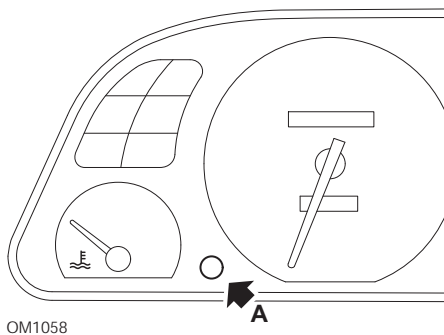
1. Switch ignition OFF.
2. Press and hold button **A**.
3. Switch ignition ON.
4. Keep button depressed for 10 seconds.
The display will now read '0' and the spanner icon will extinguish.

206



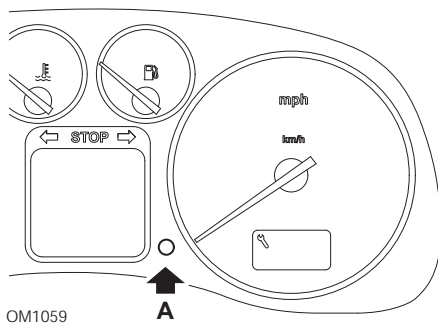
1. Switch ignition OFF.
2. Press and hold button **A**.
3. Switch ignition ON.
4. Keep button depressed for 10 seconds.
The display will now read '0' and the spanner icon will extinguish.

306



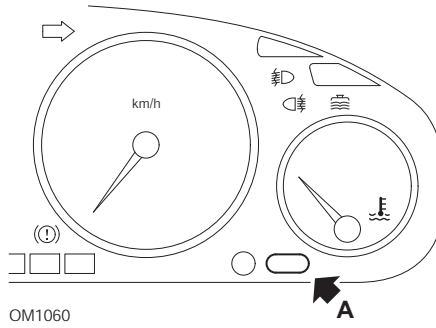
1. Switch ignition OFF.
2. Press and hold button **A**.
3. Switch ignition ON.
4. Keep button depressed for 10 seconds.
The display will now read '0' and the spanner icon will extinguish.

307



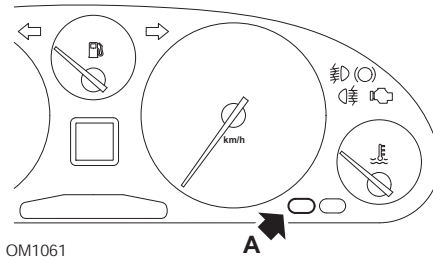
1. Switch ignition OFF.
2. Press and hold button **A**.
3. Switch ignition ON.
4. Keep button depressed for 10 seconds.
The display will now read '0' and the spanner icon will extinguish.

406



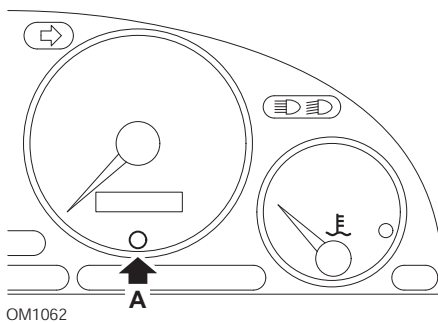
1. Switch ignition OFF.
2. Press and hold button **A**.
3. Switch ignition ON.
4. Keep button depressed for 10 seconds.
The display will now read '0' and the spanner icon will extinguish.

607



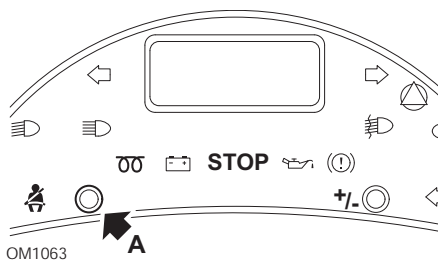
1. Switch ignition OFF.
2. Press and hold button **A**.
3. Switch ignition ON.
4. Keep button depressed for 10 seconds.
The display will now read '0' and the spanner icon will extinguish.

806



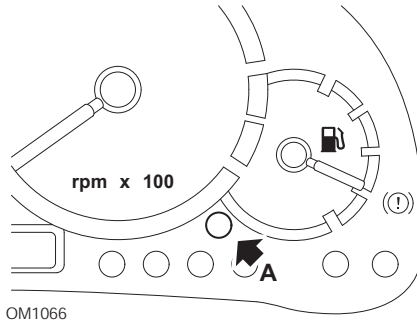
1. Switch ignition OFF.
2. Press and hold button **A**.
3. Switch ignition ON.
4. Keep button depressed for 10 seconds.
The display will now read '0' and the spanner icon will extinguish.

807



1. Switch ignition OFF.
2. Press and hold button **A**.
3. Switch ignition ON.
4. Keep button depressed until the display reads '0' and the spanner icon extinguishes.

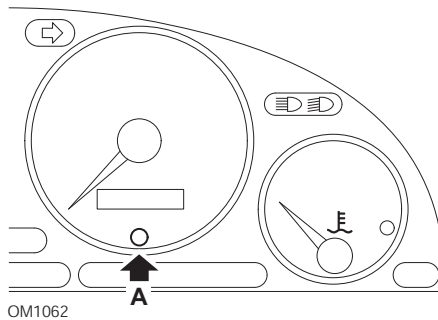
Boxer II 2002 onwards



1. Switch ignition OFF.
2. Press and hold button A.
3. Switch ignition ON.
4. Keep button depressed for 10 seconds.

The display will now read '0' and the spanner icon will extinguish.

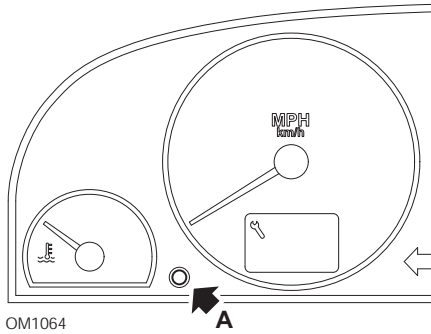
Expert



1. Switch ignition OFF.
2. Press and hold button A.
3. Switch ignition ON.
4. Keep button depressed for 10 seconds.

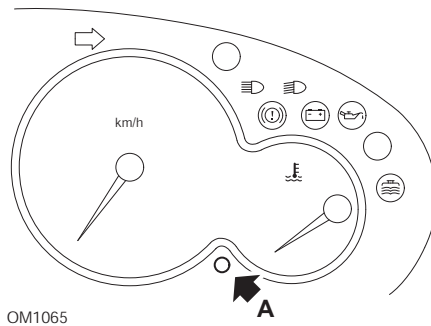
The display will now read '0' and the spanner icon will extinguish.

Partner 1999 - 2002



1. Switch ignition OFF.
2. Press and hold button **A**.
3. Switch ignition ON.
4. Keep button depressed for 10 seconds.
The display will now read '0' and the spanner icon will extinguish.

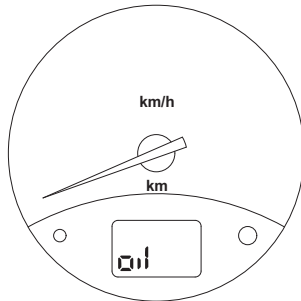
Partner 2002 onwards



1. Switch ignition OFF.
2. Press and hold button **A**.
3. Switch ignition ON.
4. Keep button depressed for 10 seconds.
The display will now read '0' and the spanner icon will extinguish.

Renault

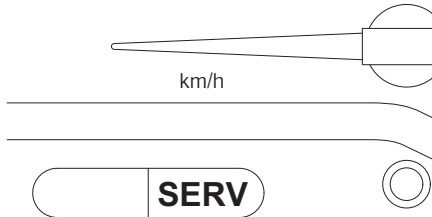
Oil level



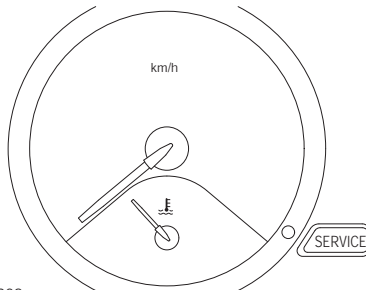
OM1067

The lamp illustrated is an oil level low warning indicator and not a service interval indicator. When the engine oil is at the correct level, this lamp will automatically extinguish.

Malfunction Indicator Lamp (MIL)



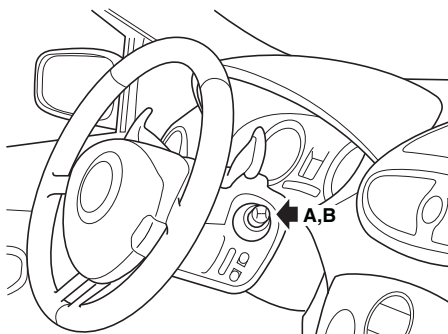
OM1068



OM1069

The lamps illustrated above, are Malfunction Indicator Lamps (MIL) and not service interval indicators. When illuminated there is a problem with the vehicle. Refer to manufacturer's documentation for further information.

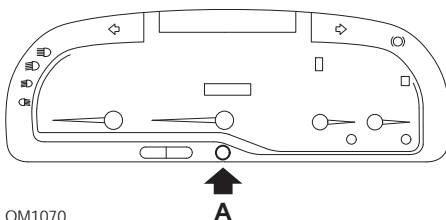
Clio III (models with trip computer; 2006 onwards) Scenic II (models with trip computer; 2003 onwards)



OM1384

1. Switch ignition ON.
2. Press and release display reset button **A** or **B** on the tip of the wiper lever until the **'Distance Before Next'** service information is displayed.
3. Continue to depress the button for 10 seconds until the display shows the distance to next service permanently. The indicator will then show the appropriate service interval (e.g. 6000 miles/10000 km).
4. Release the reset button.
5. Switch ignition OFF.

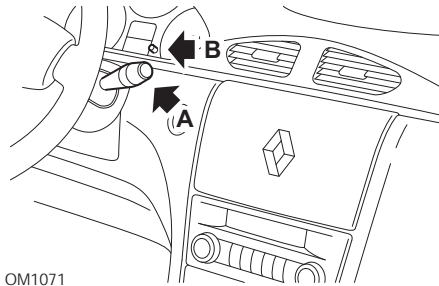
Laguna (models with trip computer; 1994 - 1998)



OM1070

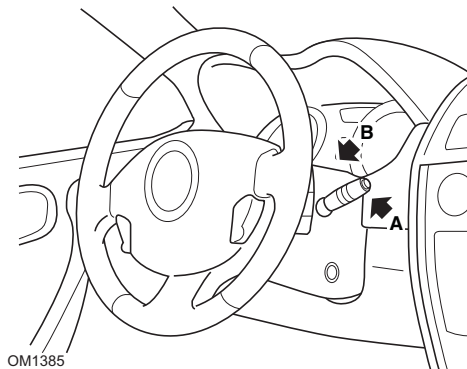
1. Switch ignition ON.
2. Press reset button **A** until spanner icon flashes.
3. Continue to depress the button until the spanner icon stops flashing and remains illuminated.
The indicator will show the appropriate service interval (e.g. 6000 miles/10000 km).
4. Release the reset button.
5. Switch ignition OFF.

Laguna II (2001 onwards)



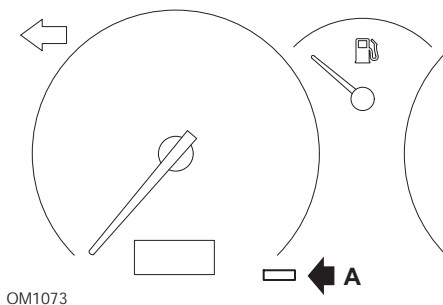
1. Switch ignition ON.
2. Repeatedly press reset button **A** until spanner icon flashes and the distance remaining until the next service appears in the odometer display.
3. Press and hold button **B** until the display has flashed 8 times.
4. Release button **B**. The new service interval is now displayed.
5. Switch ignition OFF.

Megane II (models with trip computer; 2003 onwards)



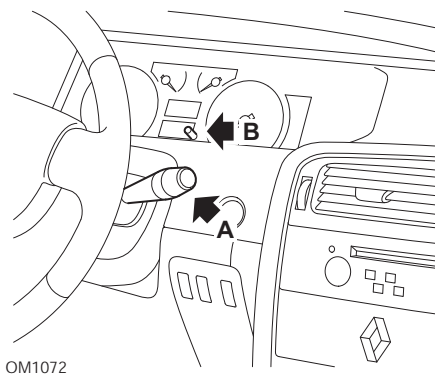
1. Switch ignition ON.
2. Press and release display reset button **A** on the tip of the wiper lever until the service information is displayed.
3. Press button **B** for 10 seconds until the display shows the next service interval permanently. The indicator will then show the appropriate distance before the next service (e.g. 6000 miles/10000 km).
4. Release the reset button.
5. Switch ignition OFF.

Safrane



1. Press and hold button **A**.
2. Switch ignition ON.
3. Continue to depress the button until the spanner icon stops flashing and remains illuminated.
The indicator will show the appropriate service interval (e.g. 6000 miles/10000 km).
4. Release the reset button.
5. Switch ignition OFF.

Vel Satis

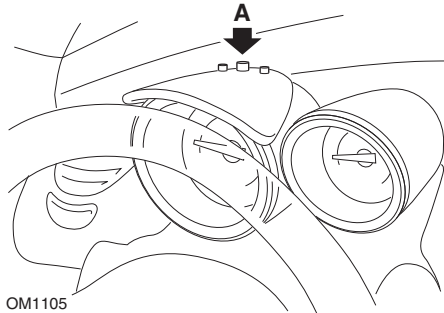


1. Switch ignition ON.
2. Repeatedly press reset button **A** until spanner icon flashes and the distance remaining until the next service appears in the odometer display.
3. Press and hold button **B** until the display has flashed 8 times.
4. Release button **B**. The new service interval is now displayed.
5. Switch ignition OFF.

Smart

Roadster

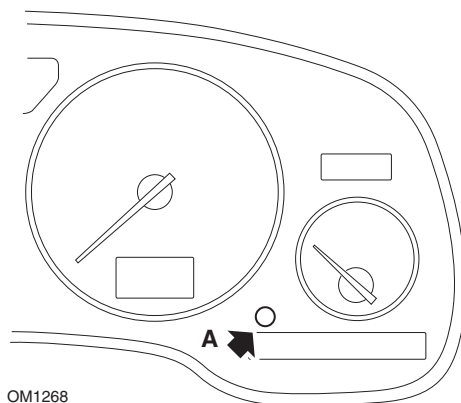
Service Type	Symbol
Service A	One Spanner Displayed
Service B	Two Spanners Displayed



1. Turn the ignition ON and within 4 seconds select the service interval display by pressing button A on the top of the instrument cluster (repeatedly until the service interval is displayed).
2. Hold button A down and turn the ignition OFF.
3. Turn the ignition ON.
4. With button A held down turn the ignition ON and wait for 10 seconds. The service indicator will now be reset.
5. Release button A, the type and distance to the next service will be shown.

Vauxhall/Opel

Omega-B, Vectra-B 1999 onwards



1. Switch ignition OFF.
2. Press and hold button **A**.
3. Switch ignition ON.
4. Keep button depressed until three dashes are displayed '---'.
5. Switch ignition OFF to check the service request has been cleared.

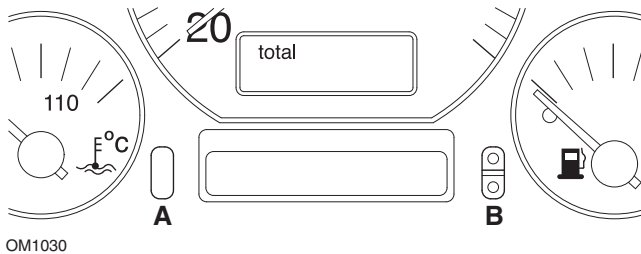
Volkswagen

Cabrio, Golf III, GTi, Jetta III (1993 - 1995) and Jetta (1996)

One of four service codes may be displayed on instrument panel according to distance travelled. Each service code displayed determines the type or level of maintenance required. The service code will flash for approximately 3 seconds in odometer display window as the ignition is turned on. When servicing becomes due (every 7,500 miles), the appropriate service code will flash for approximately 60 seconds. The four service codes available for display are as follows:

- IN 00 (No Service Necessary)
- OEL (Oil Change Service) - Every 7,500 Miles
- IN 01 (Inspection Service) - Every 15,000 Miles
- IN 02 (Additional Servicing Work) - Every 30,000 Miles

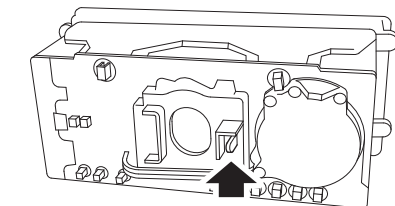
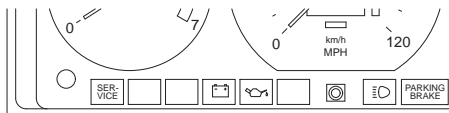
After performing the required maintenance, each effected service code displayed must be reset individually. For example, at 15,000 miles service codes OEL and IN 01 will both need to be reset.



1. To reset the SRI, turn the ignition switch to the ON position. Press and hold the odometer reset button **A**. Whilst holding button **A**, turn the ignition switch to the OFF position.
2. Service code "OEL" will be displayed. To reset this counter, press and hold button **B** until 5 dashes appear on the display.
3. If necessary, press the button **A** to display "IN 01". To reset this counter, press and hold button **B** until 5 dashes appear on the display.
4. If necessary, press the button **A** to display "IN 02". To reset this counter, press and hold button **B** until 5 dashes appear on the display.
5. To exit reset mode, turn the ignition switch to the ON position.
6. When "IN 00" is displayed, turn the ignition switch to the OFF position.

Volvo

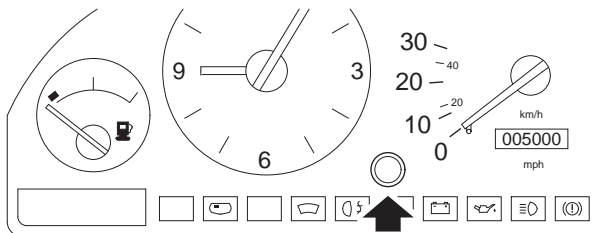
Volvo 240 (1986 - 1989)



OM1032

Reach behind the instrument panel and push the lever located between the tachometer and the speedometer.

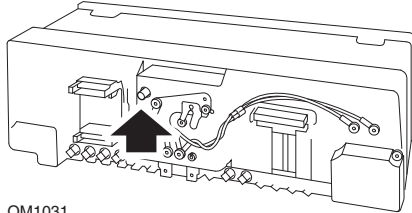
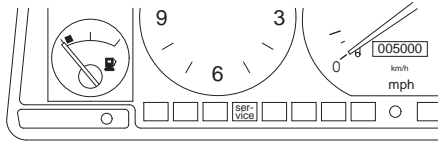
Volvo 240 (1990 - 1993)



OM1033

1. Remove the plug from the face of the instrument panel between the clock and the speedometer.
2. Insert a thin-bladed tool into the cavity and press the reset button.

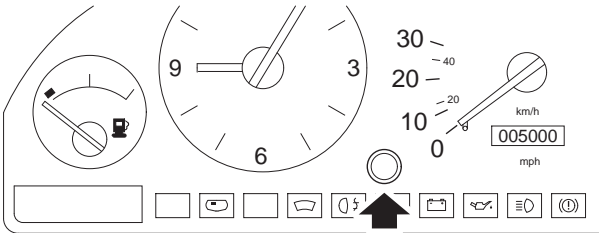
Volvo 740 (1986 - 1988)



OM1031

Reach behind the instrument panel and push the button located to the left of the speedometer.

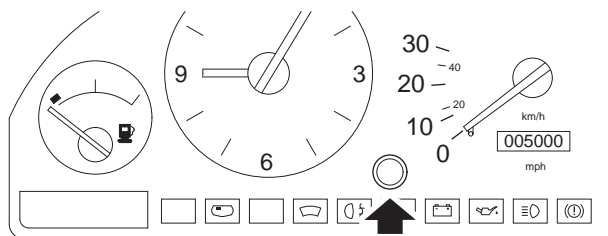
Volvo 740 (1989 - 1992)



OM1033

1. Remove the plug from the face of the instrument panel between the clock and the speedometer.
2. Insert a thin-bladed tool into the cavity and press the reset button.

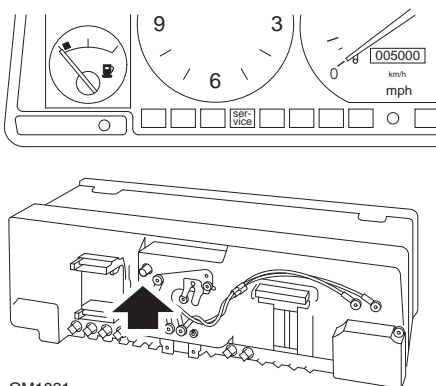
Volvo 760 (1986 - 1990)



OM1033

1. Remove the plug from the face of the instrument panel between the clock and the speedometer.
2. Insert a thin-bladed tool into the cavity and press the reset button.

Volvo 780 (1988 - 1990)

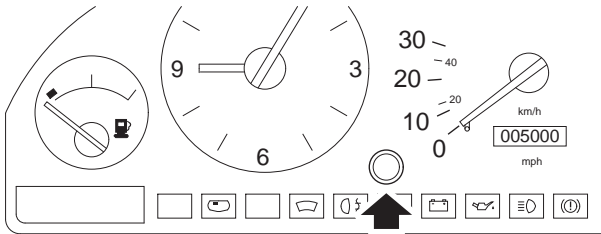


OM1031

Reach behind the instrument panel and push the button located to the left of the speedometer.

Volvo 850 (1993 - 1995) fitted with the Yazaki instrument panel

NOTE: This instrument panel has the odometer located above the speedometer needle.



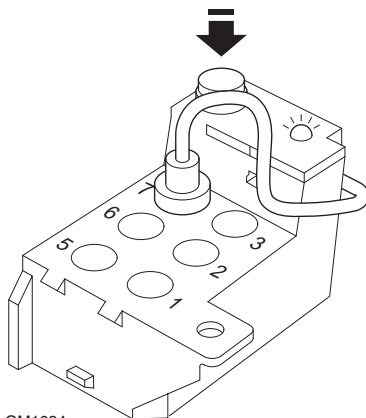
OM1033

1. Remove the plug from the face of the instrument panel between the clock and the speedometer.
2. Insert a thin-bladed tool into the cavity and press the reset button.

Volvo 850 (1993 - 1995) fitted with the VDO instrument panel

NOTE: This instrument panel has the odometer located below the speedometer needle.

1. With the ignition switch in the ON position and the engine not running.

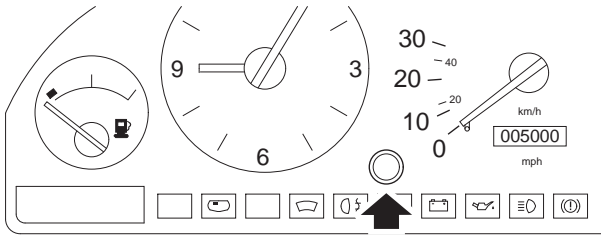


OM1034

Diagnostic module located in engine compartment adjacent to LH suspension mount

2. Connect the diagnostic module test lead to terminal 7.
3. Press the reset button on the diagnostic module 4 times in quick succession.
4. When the LED on the diagnostic unit illuminates and stays illuminated, press the reset button once and release it.
5. When the LED illuminates and stays illuminated, press the button 5 times in quick succession.
6. When the LED illuminates again, press the button once.
7. The LED will flash several times to indicate that the sequence has been correctly entered and the SRI has been reset.
8. Unplug the test lead from terminal 7 and turn the ignition switch to the 'OFF' position.

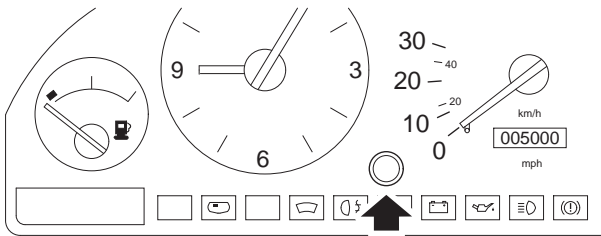
Volvo 940 (1991 - 1995)



OM1033

1. Remove the plug from the face of the instrument panel between the clock and the speedometer.
2. Insert a thin-bladed tool into the cavity and press the reset button.

Volvo 960 (1991 - 1995)



OM1033

1. Remove the plug from the face of the instrument panel between the clock and the speedometer.
2. Insert a thin-bladed tool into the cavity and press the reset button.

VDO